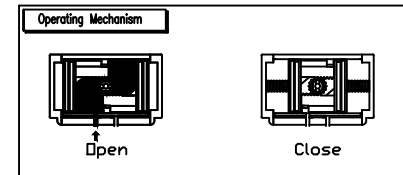
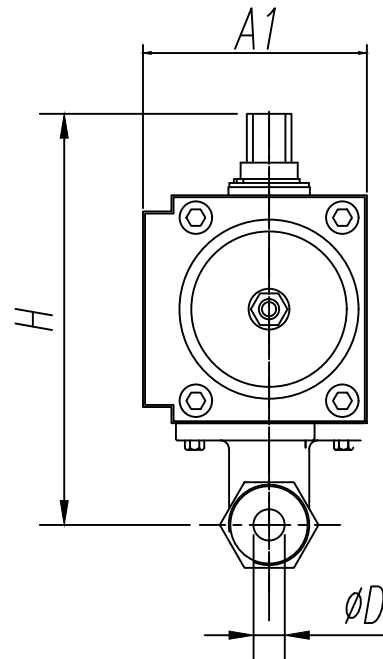
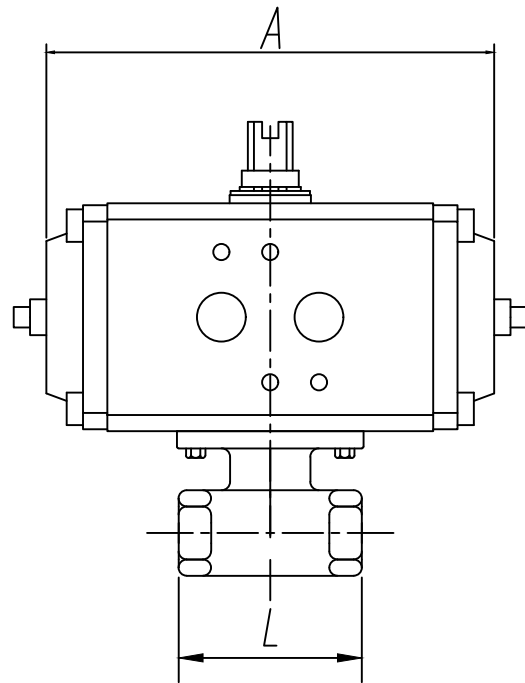


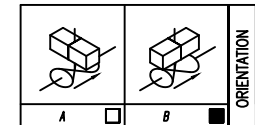
A B C D E F G H

Valve Specification

OPERATING	<input checked="" type="checkbox"/> PNEUMATIC	<input type="checkbox"/> ELECTRIC	<input type="checkbox"/> MANUAL(GEAR/LEVER)			
VALVE BODY	<input type="checkbox"/> FC	<input type="checkbox"/> FCD	<input type="checkbox"/> SCPH2	<input checked="" type="checkbox"/> SUS304	<input type="checkbox"/> SUS316	
VALVE SEAT	<input type="checkbox"/> EPDM	<input checked="" type="checkbox"/> PTFE	<input type="checkbox"/> RTFE	<input type="checkbox"/> CARBON	<input type="checkbox"/> PEEK	
RATING	<input checked="" type="checkbox"/> JIS10K	<input type="checkbox"/> JIS20K	<input type="checkbox"/> ANSI150#	<input type="checkbox"/> ANSI300#	<input type="checkbox"/> DIN10	<input type="checkbox"/> DIN16
CONNECTION	<input type="checkbox"/> RF FLANGED	<input type="checkbox"/> FF FLANGE	<input type="checkbox"/> WAFER	<input type="checkbox"/> LUG	<input checked="" type="checkbox"/> THREAD	
ACCESSORY	<input type="checkbox"/> SOLENOID V/V	<input type="checkbox"/> FILTER®ULATOR	<input type="checkbox"/> LIMIT SWITCH BOX	<input type="checkbox"/> HANDWHEEL	<input type="checkbox"/> POSITIONER	<input checked="" type="checkbox"/> NONE



<input checked="" type="checkbox"/> 100% OPEN&CLOSE	
<input type="checkbox"/> 50% CLOSE	
<input type="checkbox"/> 50% OPEN	



Actuator Specification

Specification \ Type	SINGLE ACTING ACTUATOR
Valve Type	1-PIECE SCREWED BALL
Rating	500PSI
Operating Medium	Compressed dry air
Standard operating pressure	5.5kg/cm ²
Operating pressure range	4 ~7kg/cm ²
Operating angle	90°
Operating time(close → open)	Maximum 30 Second

■ DIMENSION (UNIT: mm)

MODEL	SIZE		A	A1	H	L	ØD
	mm	Inch					
BT040S8C-8S1A	8A	1/4"	110	55	101	43	6.8

Designed by	Checked by	Approved by	File name	Date	Scale	Unit
D.K.PARK	T.K.KIM		PNEUMATIC VALVE	2020.02.26	N/S	mm
			Title			
			PNEUMATIC 1 PIECE SCREWED BALL VALVE (8A)			
			Model		Drawing no.	
			BT040S8C-8S1A		KST200226-31	

A B C D E F G H