

MEGATEC

PNEUMATIC ACCESSORY

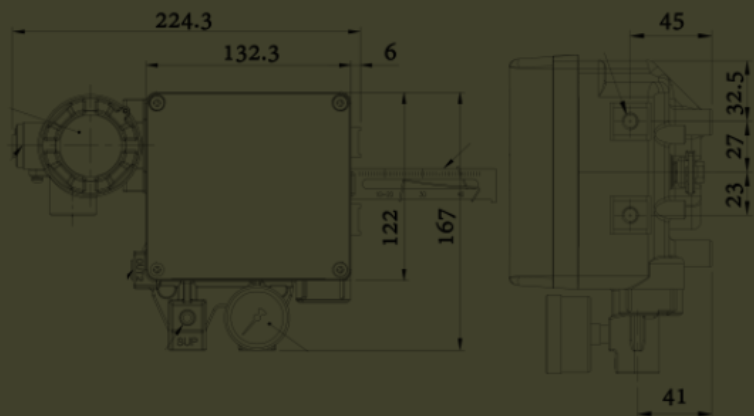


CONTROL VALVE LEADER MEGATEC

MEGATEC ELECTRO-PNEUMATIC POSITIONER

- ML-100 / MR-100

Simple zero and span adjustment.
 Fast response time, durability and excellent stability
 Reverse & Direct acting setting.
 IP66 / Strong anti vibration performance
 Auto / Manual switch



MEDEL	ML-100	MR-100
TYPE	LINEAR	ROTARY
INPUT SIGNAL	4~20mA DC	4~20mA DC
IMPEDANCE	250 ± 15 Ω	250 ± 15 Ω
SUPPLY PRESSURE	0.14 ~ 0.7 MPa	0.14 ~ 0.7 MPa
STROKE	10 ~ 150mm	0 ~ 90°
AIR CONNECTION	PT 1/4	PT 1/4
GAUGE CONNECTION	PT 1/8	PT 1/8
CONDUIT	PF 1/2	PF 1/2
INGRESS PROTECTION	IP 66	IP 66
OPERATION TEMP.	-20°C ~ 70°C	-20°C ~ 70°C
MATERIAL	ALUMINIUM	ALUMINIUM

MEGATEC AIR FILTER REGULATOR

- AW-4000 , AW-2000

The MEGATEC AW-4000 AIR FILTER & REGULAGTOR has a good ability to maintain constant pressure in the air and remove foreign substances from the air.



AW-4000

AW-2000

MEDEL	AW-4000	AW-2000
MATERIAL	ALUMINUM	ALUMINUM, PLASTIC
WORKING MEDIUM	AIR	AIR
MAX. PRESSURE	1.7MPa	0.95MPa
ADJUSTABLE PRESSURE RANGE	0.15-0.85MPa	0.15-0.85MPa
OPERATING TEMP	-20°C ~ 70°C	-20°C ~ 70°C
JOINT PIPE SIZE	1/4 PT	1/4 PT
GAUGE CONNECTOR THREAD DIAMETER	1/4 PT	1/8 PT
GAUGE RANGE	0 - 1 MPa	0 - 1 MPa
WEIGHT	650g	320g

MEGATEC SOLENOID VALVE (NAMUR)
 - KST-6000(4M310-8) / KST-6100(4M410-15)

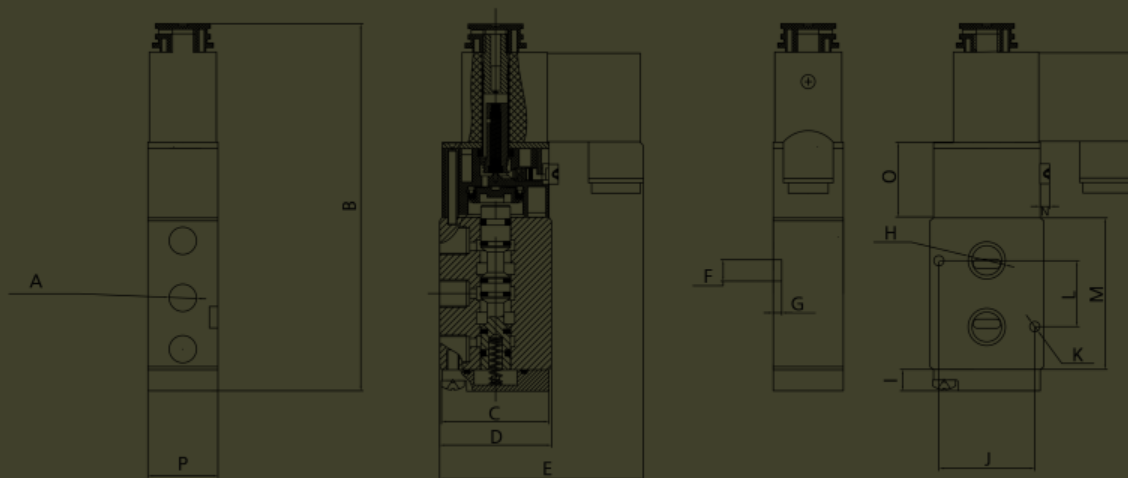
MEGATEC SOLENOID VALVE is a SOLENOID VALVE that is used in combination with AIR ACTUATOR (NAMUR), saving money and time because no piping is required.

It can be used for pipe sizes of 1/8, 1/4, 3/8, and 1/2.



KST-6000(4M310-8) 1/8" 1/4"

KST-6100(4M410-15) 3/8" 1/2"



MEDEL	A	B	C	D	E	F	G	H	I	J	K	L	M	N	O	P
KST-6000(4M310-8)	3*1/4	141	39	40	68	2*9	2*3.3	2*Φ18.4	13	31	2*Φ5.4	24	65	1.8	27	27
KST-6100(4M410-15)	3*1/2	180.5	50	55	76.5	2*12	2*7	2*Φ26.6	10	45	2*Φ6.5	40	104	3	27	34

MEDEL	KST-6000(4M310-8)	KST-6100(4M410-15)
작동방식	5PORT 직동형	
사용유체	공기 / 불활성가스	
관접속 구경	PT 1/4	PT 1/2
적용 실린더 규격	1/8 , 1/4	3/8 , 1/2
접속방식	DIRECT CONNETION (NAMUR)	
사용압력	0 ~ 0.7 MPA	
수동조작	PUSH BUTTON TYPE (LOCK TYPE)	
소비전력	DC : 2.8W / AC 4.53.6VA	
급 유	무 급	
코일 정격전압	DC24V , AC110V , AC220V	

MEGATEC LIMIT SWITCH BOX

- KST-200 / KST-201 / KST-202

The MEGATEC LIMIT SWITCH BOX can be connected to any ACTUATOR without replacing the BRACKET using the MULTI BRACKET. Please identify and select the characteristics of each model.



KST-200



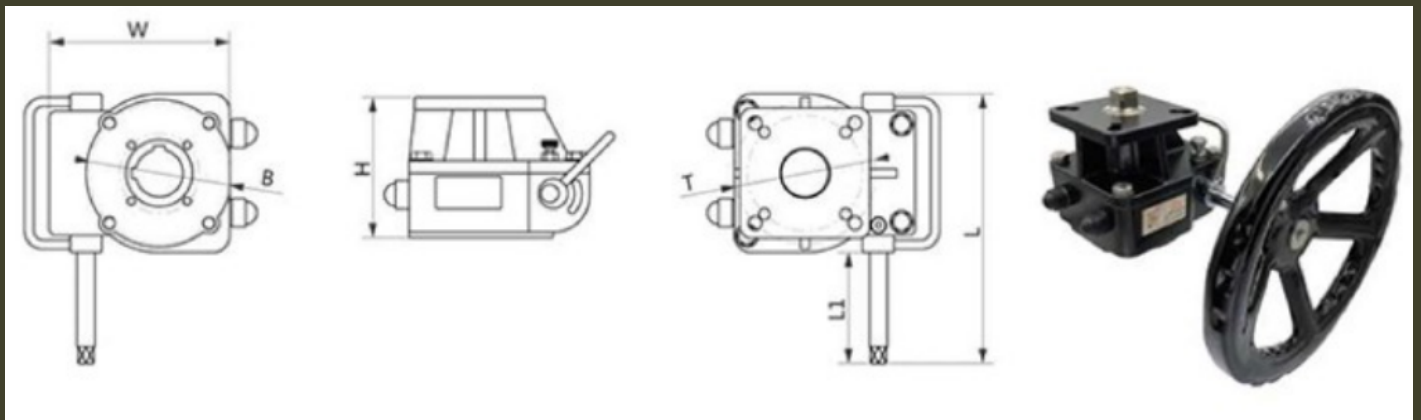
KST-201



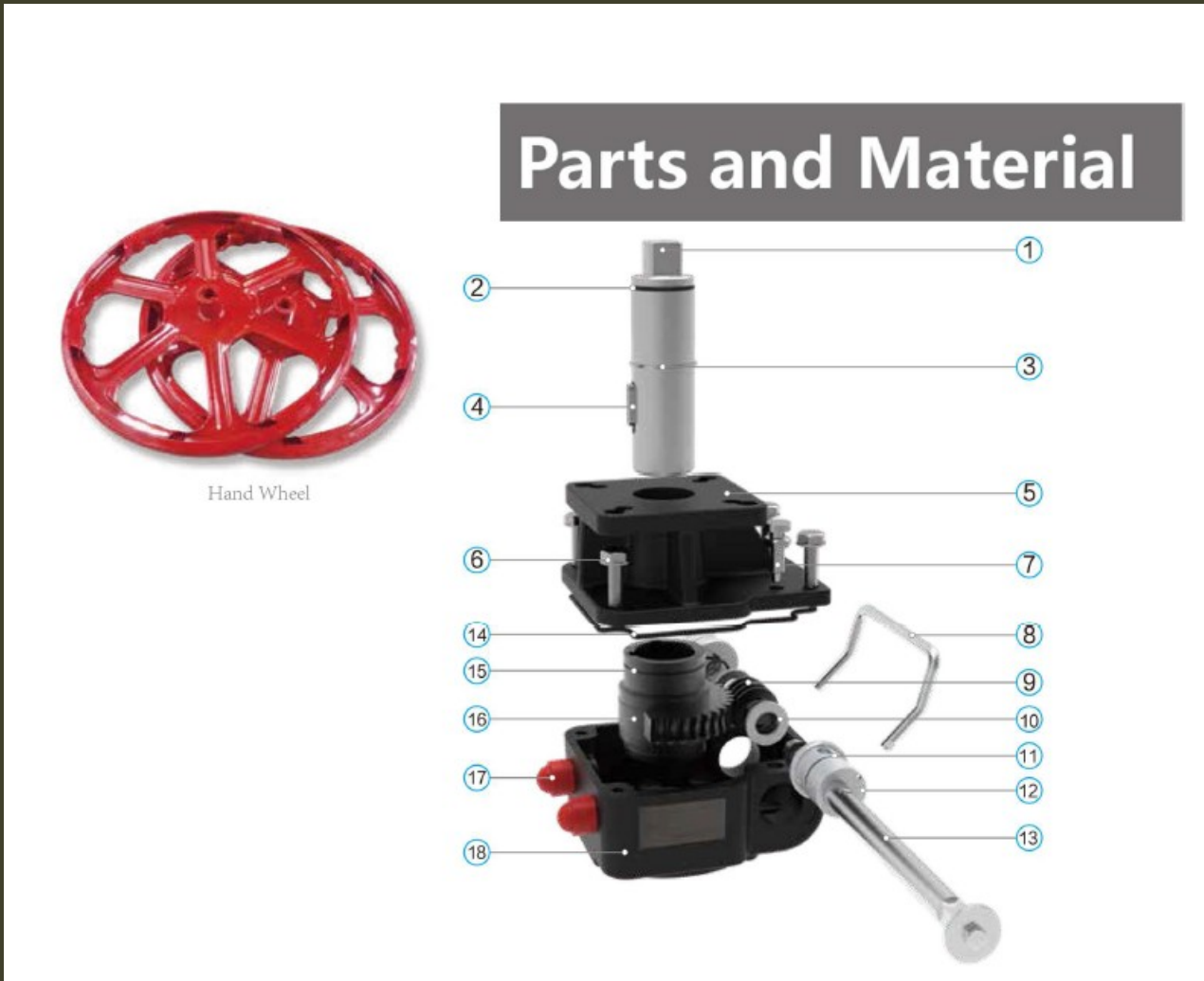
KST-202

MEDEL	KST-200	KST-201	KST-202
Material	ALUMINIUM	PLASTIC	PLASTIC
Cable entries	IP 66	IP 66	IP 66
Enclosure	PT 1/4	PT 1/2	LEAD WIRE
Travel angle	0-90°	0-90°	0-90°
Ambient temperature	-20 to +80 °C	-20 to +80 °C	-20 to +80 °C
Switches	2 x mechanical switches	2 x mechanical switches	proximity sensors
Terminal points	8 points	6 points	-
Dome indicato	2-way, yellow(open) / red(close)		-
Bracket	MULTI BLACKET		DIRECT CONNECT
코일 정격전압	DC24V , AC110V , AC220V		

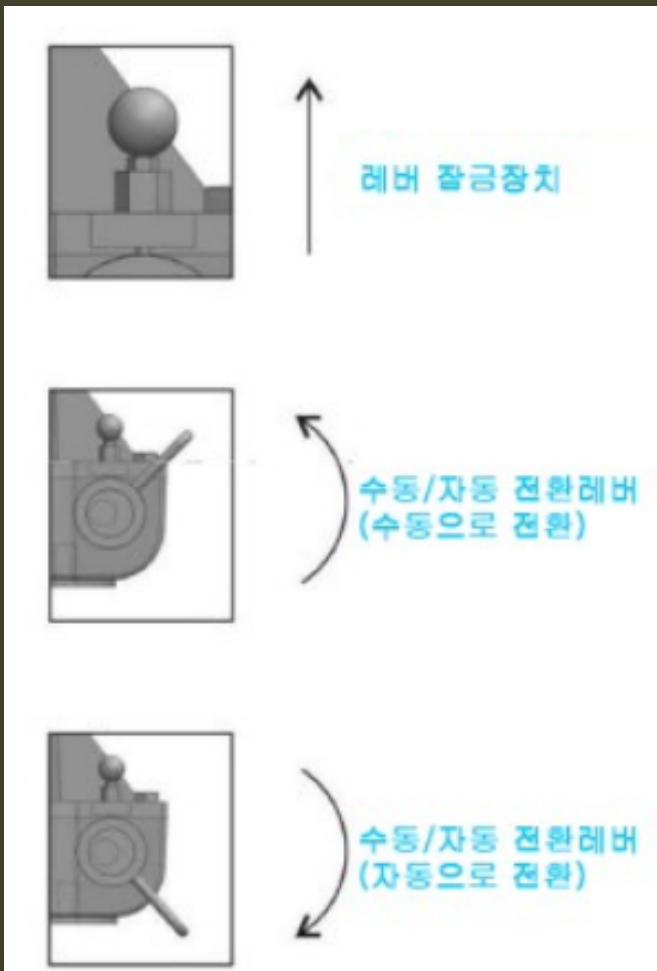
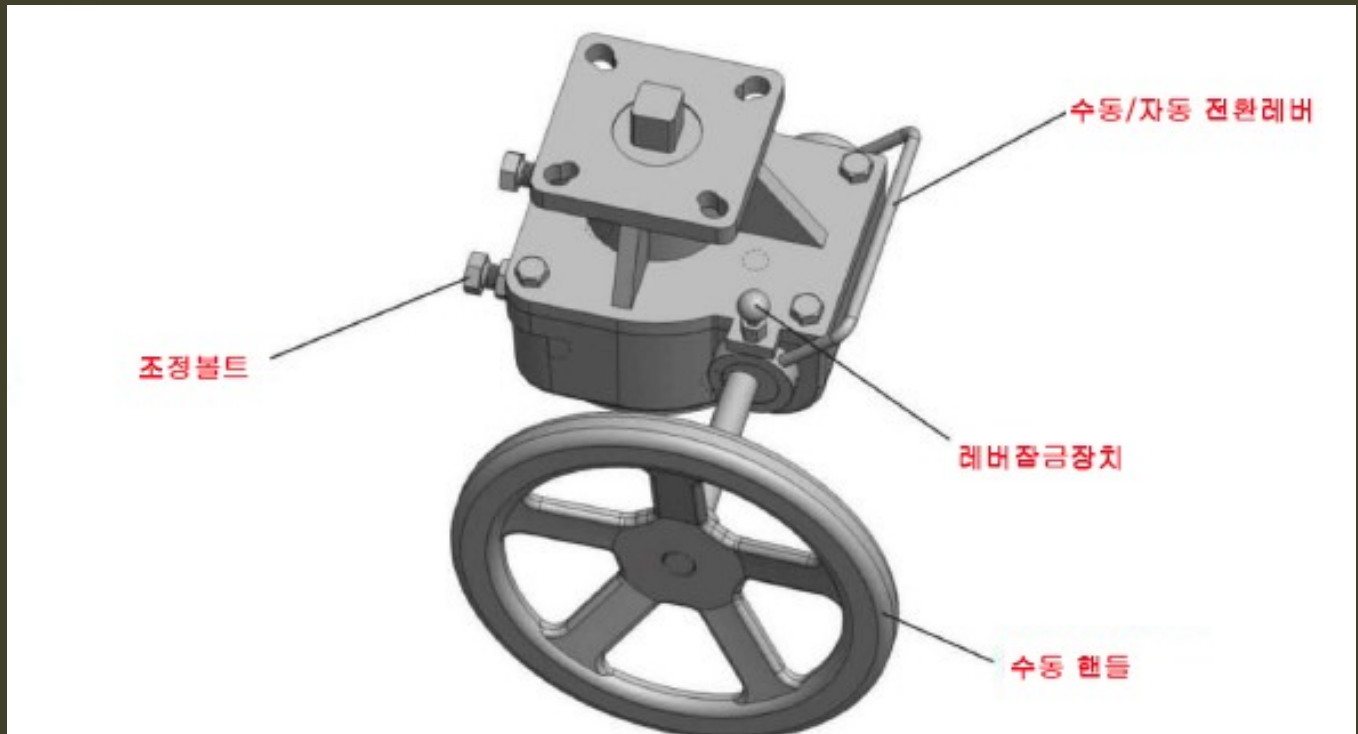
The KDG series declutch override gear box were specially designed used for butterfly valve, ball valve and plug valve together with pneumatic actuators. This device allows for operation during installation, system testing and in the event of supply air-failure. The KDG series mount directly to many of the most popular rack and pinion style actuators on the market, and does not require a bracket between the pneumatic actuator and declutch override. The units come complete with a coupler that connect the pneumatic actuator to the valve. Available in five model sizes to meet valve / actuator torque requirements up to 2,500 Nm.



DIMENSION							
Model	KDG-018(DG-01)	KDG-030(DG-02)	KDG-060(DG-03)	KDG-120(DG-04)	KDG-210(DG-05)	KDG-300(DG-06)	KDG-380(DG-07)
L	180	220	257	330	370	400	420
W	115	135	160	200	244	282	313
H	105	110	130	165	185	200	200
Hand wheel	Φ180	Φ200	Φ280	Φ320	Φ400	Φ500	Φ600
B	F05/F07	F07/F10	F07/F10/F12	F10/F14 OPTION :F12	F10/F16 OPTION : F14	F16	F16
T	F05/F07	F07/F10	F07/F10/F12	F10/F12/F14	F10/F16	F16	F16
L1	71	92.3	113	147.8	148	158	171
SHAFT	14*14	17*17	22*22	27*27	36*36	46*46	46*46
ACTUATOR(DA)	BT040D-075D	BT083D-105D	BT125D-140D	BT160D-190D	BT210D-240D	BT270D	BT300D
ACTUATOR(SR)	BT040S-075S	BT083S-092S	BT105S-125S	BT140S-160S	BT190S-210S	BT240S	BT270S
OUTPUT	180Nm.	320Nm.	680Nm.	1200Nm.	2100Nm.	3000Nm.	3800Nm.
WEIGHT	3Kg	4.5Kg	7Kg	13.7Kg	22Kg	30Kg	38Kg



NO.	NAME	MATERIAL SCIENCE	NO.	NAME	MATERIAL SCIENCE
1	Drive spindle	Alloy steel	10	Plane bearing	Alloy steel
2	Seals	Nitrile rubber	11	Seals	Nitrile rubber
3	Circlip	SUS304	12	Eccentric bushing	Alloy steel
4	Flat key	Alloy steel	13	Transmission rod	Alloy steel
5	Top cover	Aluminum alloy	14	Sealing Ring	Nitrile rubber
6	Fasteners	SUS304	15	Sealing Ring	Nitrile rubber
7	Positioning pins	Alloy steel	16	Turbine	Ductile iron
8	Handle	SUS304	17	Adjust screw	SUS304
9	Worm gear	Alloy steel	18	BT160D-190D	Aluminum alloy



MANUAL OPERATION

1. 자동으로 전환

공압 액추에이터의 에어 공급을 차단한다.
레버 잠금 장치를 사진과 같은 방향으로
위로 올린 상태에서 수동/자동 전환레버를
아래로 내린다.

레버 잠금장치를 원위치 시킨다.
공압 액추에이터의 에어를 공급하여
작동시킨다.

2. 수동으로 전환

공압 액추에이터의 에어 공급을 차단한다.
레버 잠금 장치를 사진과 같은 방향으로
위로 올린 상태에서 수동/자동 전환레버를
위로 올린다.

레버 잠금장치를 원위치 시킨다.
수동 핸들을 돌려 밸브를 개폐시킨다.



MEGATEC

CONTROL VALVE LEADER MEGATEC

주식회사 메가텍

본사&1공장(구동부) : 경기도 안산시 단원구 만해로 타원타크라 3차 B동 505호

2공장(밸브생산동) : 경기도 안산시 단원구 만해로 205 타원타크라 3차 A동 822호

전화 : 02-896-8800 팩스 : 031-380-0199

홈페이지 : www.megatec.co.kr 이메일 : info@kst-korea.com